

**Modular Cooking Range Line
thermaline 80 - Sink unit on closed
base, 1 Side, H=700**

ITEM # _____

MODEL # _____

NAME # _____

SIS # _____

AIA # _____

**588213 (MAZAGAD300)**Sink Unit on Closed Base,
one-side operated**Short Form Specification****Item No.** _____

Sink unit on closed base, with a large stainless steel tap, constructed according to DIN 18860_2 with 20 mm drop nose top and 70 mm recessed plinth. Internal frame for heavy duty sturdiness in stainless steel. 2 mm top in 1.4301 (AISI 304). Flat surface construction, easily cleanable. THERMODUL connection system enables seamless worktop when units are connected and avoids soil penetrating.

IPX5 water resistant certification.

Configuration: Freestanding, one-side operated.

Main Features

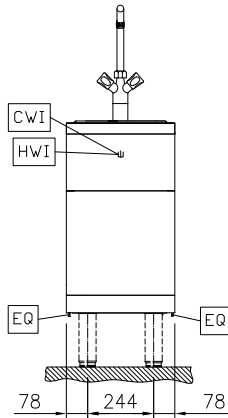
- Large stainless steel tap.
- All major components may be easily accessed from the front.
- THERMODUL connection system creates a seamless work top when units are connected to each other thus avoiding soil penetrating vital components and facilitating the removal of units in case of replacement or service.

Construction

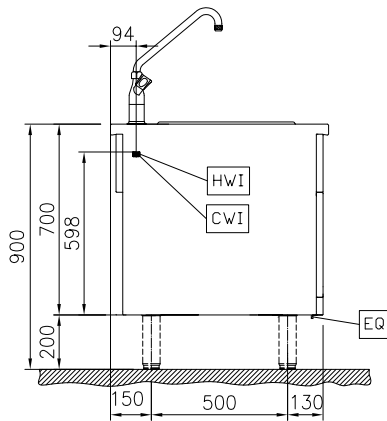
- IPX5 water resistance certification.
- Fitted on a closed base.
- 2 mm top in 1.4301 (AISI 304).
- Unit constructed according to DIN 18860_2 with 20 mm drop nose top and 70 mm recessed plinth.
- Flat surface construction with minimal hidden areas to easily clean all surfaces
- Internal frame for heavy duty sturdiness in stainless steel.

APPROVAL: _____

Front

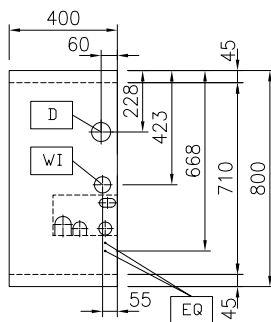


Side



CWI1 = Cold Water inlet 1 (cleaning)
 D = Drain
 HWI = Hot water inlet

Top


Water:

Inlet water line size:	3/4"
Drain line size:	1"
Incoming Cold/hot Water line size:	3/4"

Key Information:

External dimensions, Width:	400 mm
External dimensions, Depth:	800 mm
External dimensions, Height:	700 mm
Net weight:	28 kg

Optional Accessories

- | | | | | |
|--|------------|--------------------------|---|-------------------------------------|
| • Connecting rail kit, 800mm | PNC 912500 | <input type="checkbox"/> | | |
| • Stainless steel side panel, 800x700mm, freestanding | PNC 912509 | <input type="checkbox"/> | | |
| • Portioning shelf, 400mm width | PNC 912522 | <input type="checkbox"/> | | |
| • Portioning shelf, 400mm width | PNC 912552 | <input type="checkbox"/> | | |
| • Folding shelf, 300x800mm | PNC 912577 | <input type="checkbox"/> | | |
| • Folding shelf, 400x800mm | PNC 912578 | <input type="checkbox"/> | | |
| • Fixed side shelf, 200x800mm | PNC 912583 | <input type="checkbox"/> | | |
| • Fixed side shelf, 300x800mm | PNC 912584 | <input type="checkbox"/> | | |
| • Fixed side shelf, 400x800mm | PNC 912585 | <input type="checkbox"/> | | |
| • Stainless steel front kicking strip, 400mm width | PNC 912630 | <input type="checkbox"/> | | |
| • Stainless steel side kicking strip left and right, freestanding, 800mm width | PNC 912655 | <input type="checkbox"/> | | |
| • Stainless steel side kicking strip left and right, back-to-back, 1610mm width | PNC 912661 | <input type="checkbox"/> | | |
| • Stainless steel plinth, freestanding, 400mm width | PNC 912859 | <input type="checkbox"/> | | |
| • Connecting rail kit: modular 80 (on the left) to ProThermetic tilting (on the right), ProThermetic stationary (on the left) to ProThermetic (on the right) | PNC 912971 | <input type="checkbox"/> | | |
| • Connecting rail kit: modular 80 (on the right) to ProThermetic tilting (on the left), ProThermetic stationary (on the right) to ProThermetic (on the left) | PNC 912972 | <input type="checkbox"/> | | |
| • Endrail kit, flush-fitting, left | PNC 913109 | <input type="checkbox"/> | | |
| • Endrail kit, flush-fitting, right | PNC 913110 | <input type="checkbox"/> | | |
| • Endrail kit (12.5mm) for thermaline 80 units, left | PNC 913200 | <input type="checkbox"/> | | |
| • Endrail kit (12.5mm) for thermaline 80 units, right | PNC 913201 | <input type="checkbox"/> | | |
| • Stainless steel side panel, left, H=700 | PNC 913214 | <input type="checkbox"/> | | |
| • Stainless steel side panel, right, H=700 | PNC 913215 | <input type="checkbox"/> | | |
| • T-connection rail for back-to-back installations without backsplash (to be ordered as S-code) | PNC 913227 | <input type="checkbox"/> | | |
| • Insert profile D=800mm | PNC 913230 | <input type="checkbox"/> | | |
| • Endrail kit, (12.5mm), for back-to-back installation, left | PNC 913249 | <input type="checkbox"/> | | |
| • Endrail kit, (12.5mm), for back-to-back installation, right | PNC 913250 | <input type="checkbox"/> | | |
| • Endrail kit, flush-fitting, for back-to-back installation, left | PNC 913253 | <input type="checkbox"/> | | |
| • Endrail kit, flush-fitting, for back-to-back installation, right | PNC 913254 | <input type="checkbox"/> | | |
| • Side reinforced panel only in combination with side shelf, for freestanding units | PNC 913258 | <input type="checkbox"/> | | |
| | | | • Side reinforced panel only in combination with side shelf, for back-to-back installations, left | PNC 913271 <input type="checkbox"/> |
| | | | • Side reinforced panel only in combination with side shelf, for back-to-back installation, right | PNC 913272 <input type="checkbox"/> |